



E-Series Durafan Chemical Resistant Fan Unit

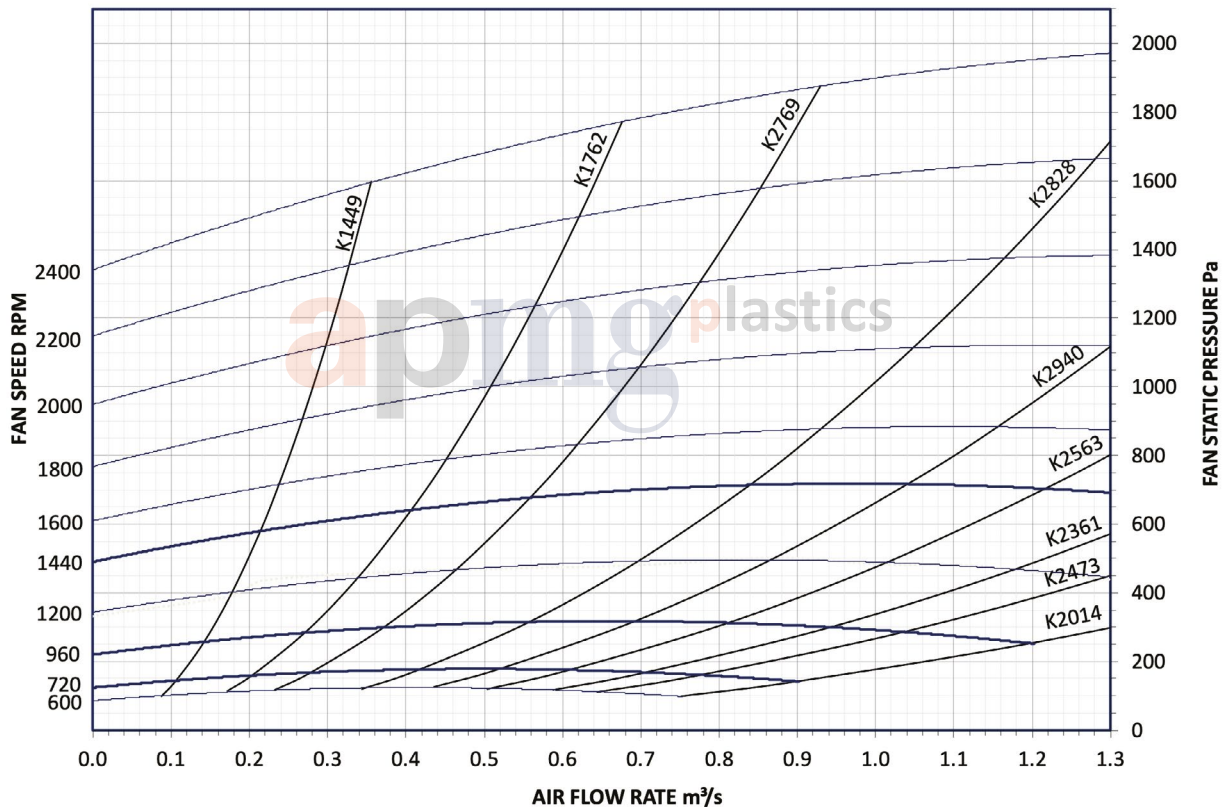
The value-engineered APMG Plastics E-Series Extra-Value fan range is a tough, competitively priced, general purpose fan. Ideal for fume cupboards, this versatile fan is suited to countless other applications.

Manufactured from chemical resistant thermoplastic materials, 95% of the steel work has been mitigated to offer greater chemical resistance.

The E-Series simplifies maintenance procedures and reduces downtime. The design of the backplate allows the impeller and motor assembly to be removed from the unit without disconnection from the ductwork system.

Available with L90° or R90° discharges when viewed on the inlet of the fan, the E-Series fan is the ideal model for both internal and external locations with vertical discharge ducts.

AP315E Fan Characteristic Curve



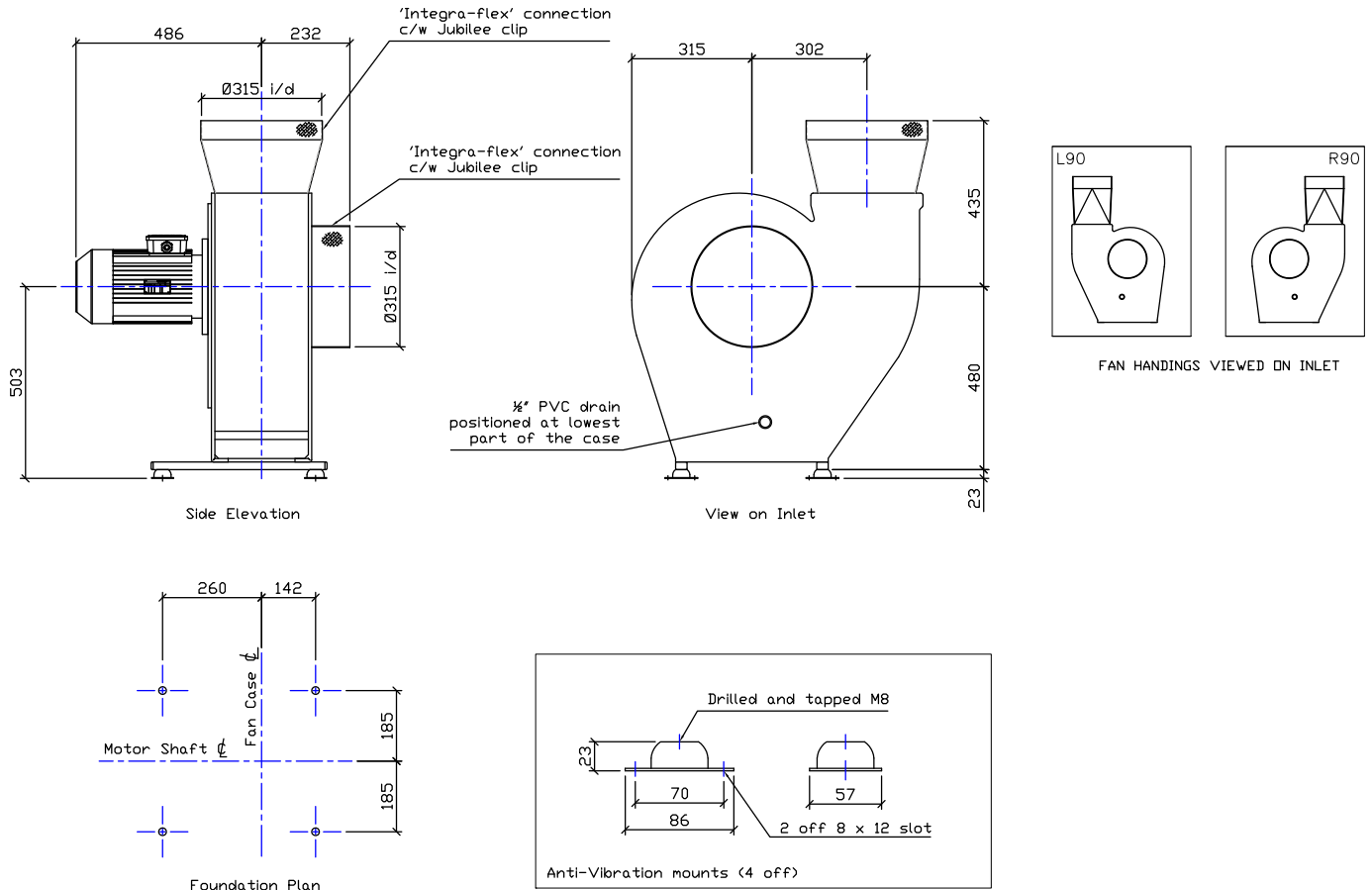
To calculate the Power Absorbed:

Plot the fan duty point onto the curves and interpolate the relevant 'K' factor.

Then:-
$$kW = \frac{6.35 \times m^3/s \times Pa}{K}$$

To compensate for belt and bearing loss multiply the result by 1.2.

Motor Frame Size (mm)	80	90	100
Weight (kg)	26	34	41



Angle of discharge shown - R90°

All these features as standard

- ✳ Chemical Resistant free-standing PVC fan case, complete with **Integra-flex** inlet and outlet connections to suit like for like duct diameters.
- ✳ Jubilee clips also included
- ✳ Drain point at lowest part of the fan case
- ✳ Forward curved multi-vane moulded impeller manufactured from polypropylene
- ✳ GRP pultrusion mounting rails
- ✳ 4 off rubber Anti-Vibration mounts
- ✳ 3 phase motor with minimum IP55 enclosure
- ✳ Enclosure can be upgraded to meet customer requirements
- ✳ Directly driven fan unit
- ✳ Motors are IE1 or IE2 efficient as standard, depending on the speed rating
- ✳ IE3 efficient motors are available on request

All measurements in mm

Technical specification

- ✳ Recommended maximum operating temperature of 40°C
- ✳ Noise data available on request, please contact our technical office for further details

Optional extras

- ✳ Inverter control 1ph to 3ph or 3ph to 3ph
- ✳ Fabricated non-return dampers
- ✳ A range of PVC or polypropylene vent tube and fittings